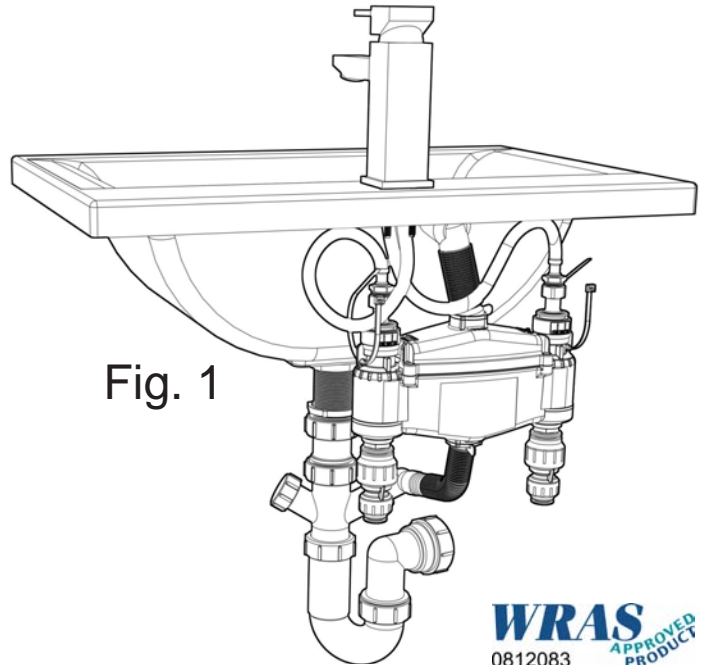




[www.nova-flo.com](http://www.nova-flo.com)



**WRAS**  
0812083  
APPROVED  
PRODUCT

### Important Notes

This instruction sheet is to be used as an appendix to the Nova-Flo® Installation Instructions which cover important usage information and features.

Basins with external overflow designs may be installed with a Nova-Flo® device to prevent overflowing and excess water wastage.

**Please note that most ceramic basins which incorporate internal overflow channels are not currently suitable for Nova-Flo® installation without considerable modification and are not recommended for use in conjunction with Nova-Flo®.**

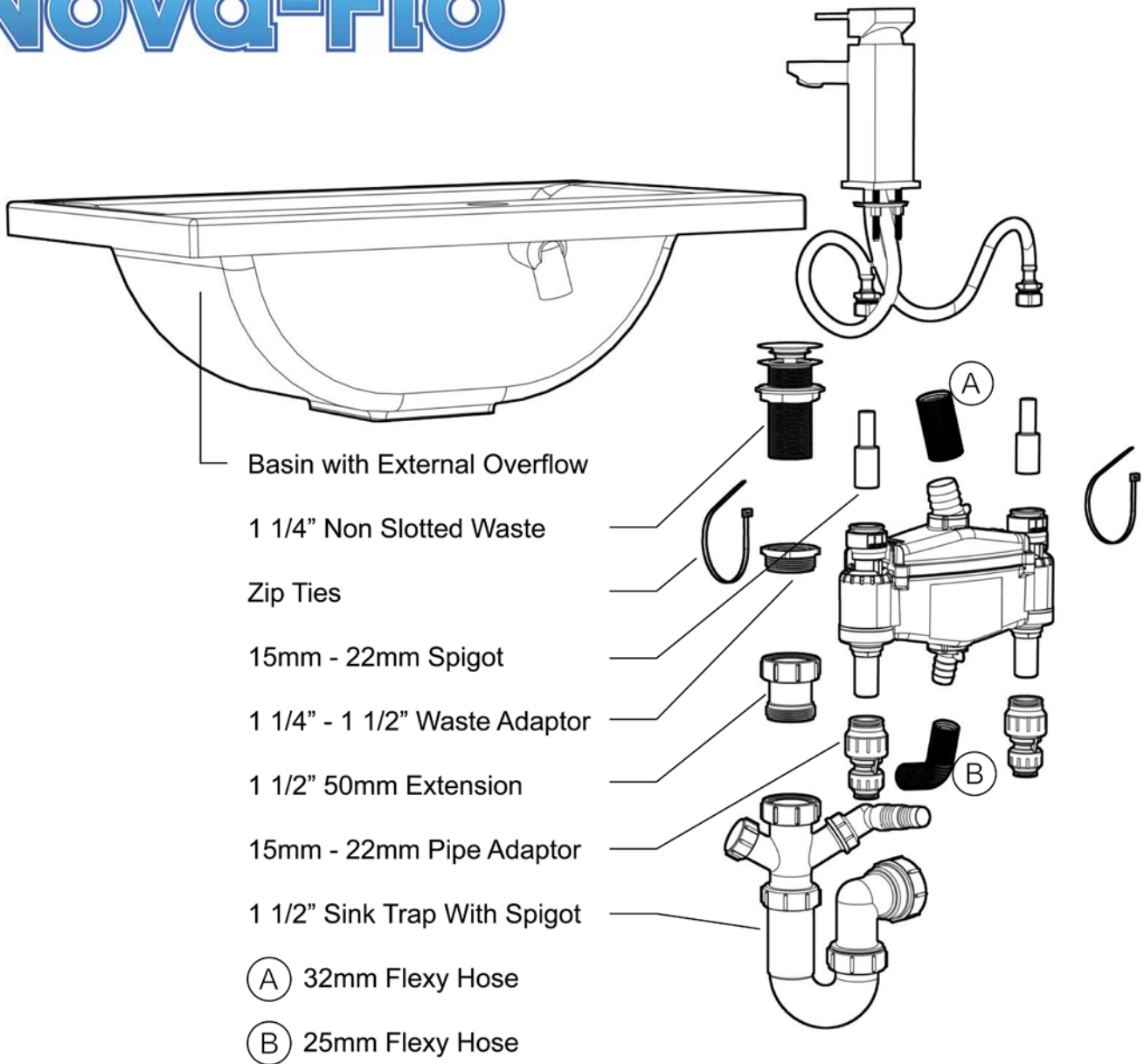
### Positioning

The Nova-Flo® unit must be located between the overflow outlet (See Fig. 2) and the trap in as high a position as can be achieved.

Fixings such as cable ties, screws or flexible wire can be used through the ears on the Nova-Flo® unit to support it in the preferred position if needed. This location will allow any excess water flowing through the overflow outlet in the basin to pass through the Nova-Flo® unit causing activation of the valves to shut off the supply water.

The outlet waste pipe from the Nova-Flo® must feed back to a spigot on the trap assembly prior to the U-bend.

Depending on the depth of chosen basin, the 1 ½" waste Extension (see Fig. 2) requirement may vary in length from that shown.



## WARNINGS

Don't put fingers or other body parts into apertures or plumbing fittings on the unit!  
These can contain sharp edges.

Use a pipe cutter to cut any pipe. Do not use a hacksaw as this can leave a jagged and off-square cut which will damage the plumbing fittings upon insertion.

Do not use soldered or compression fittings or solder flux in direct contact with the unit.

Care must be taken to avoid any heat transfer to the unit if soldering fittings in close proximity.

Distributed by

*Lifescience*  
**Products Ltd**

Rangers Lodge  
Cornbury Park  
Oxon OX7 3HL. UK

020 7793 2260  
www.nova-flo.com  
sales@nova-flo.com